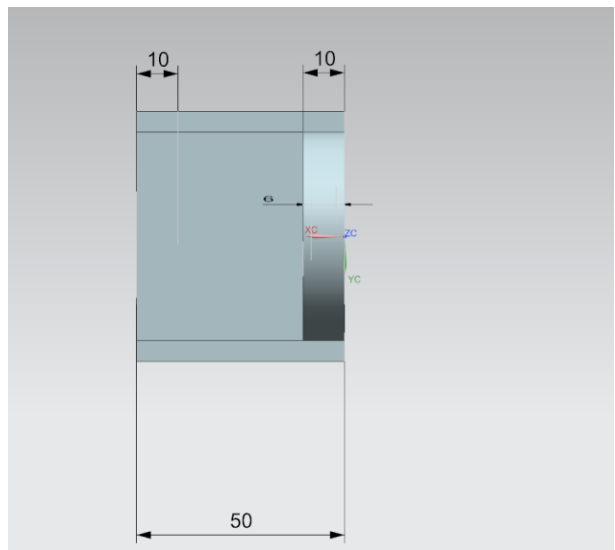
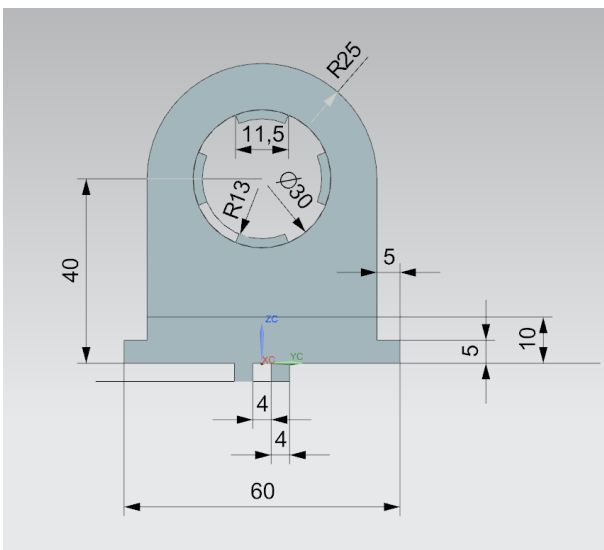
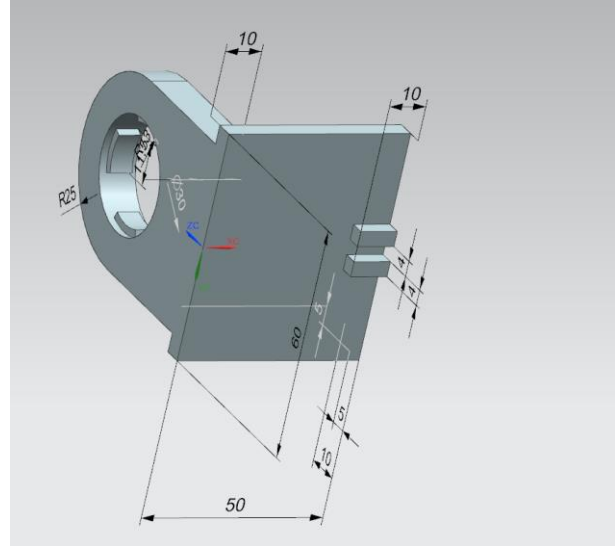
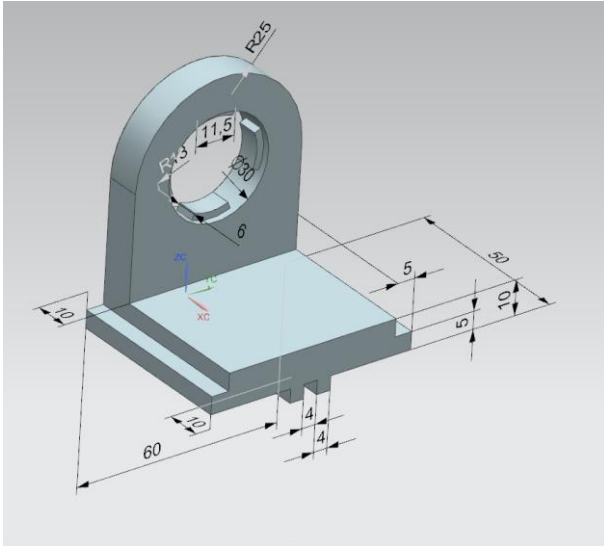
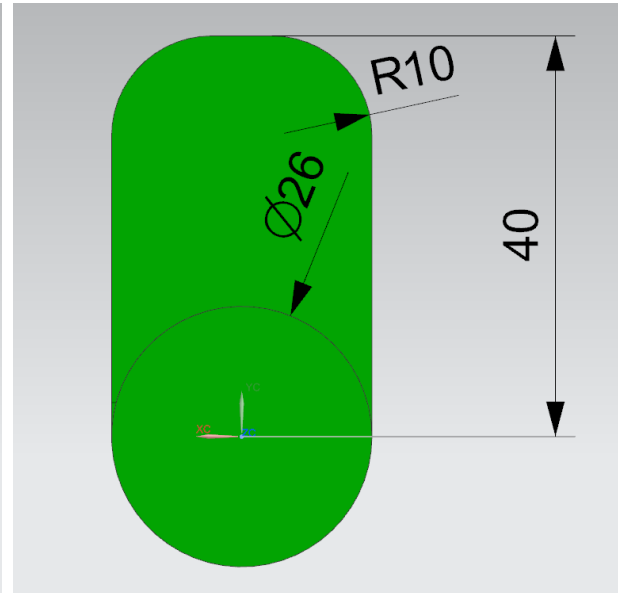
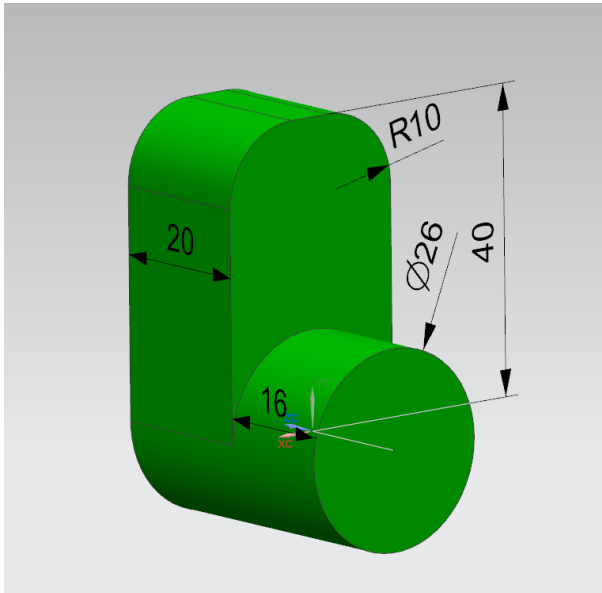


Bracket and engine for lighting module

Bracket geometry



Engine geometry Setting Engine.



Assembly bracket and engine

