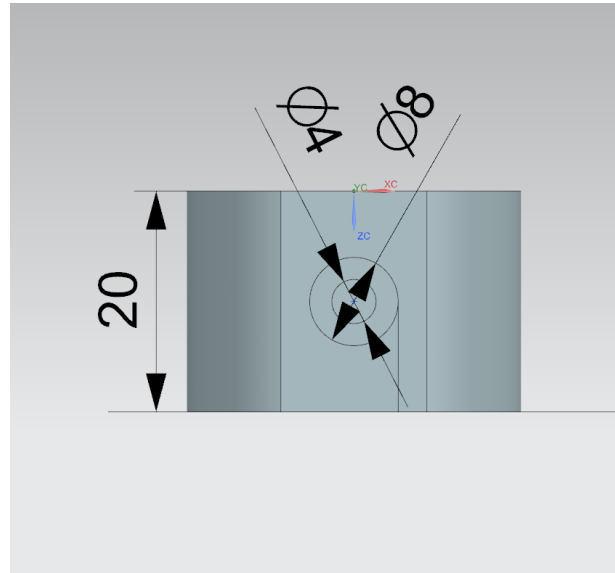
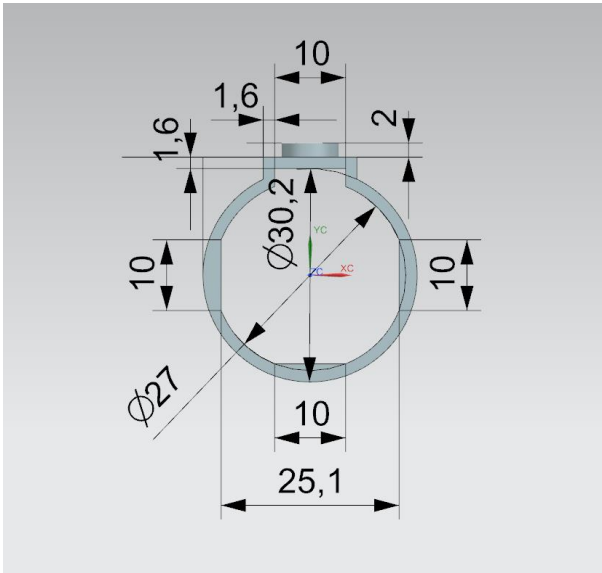
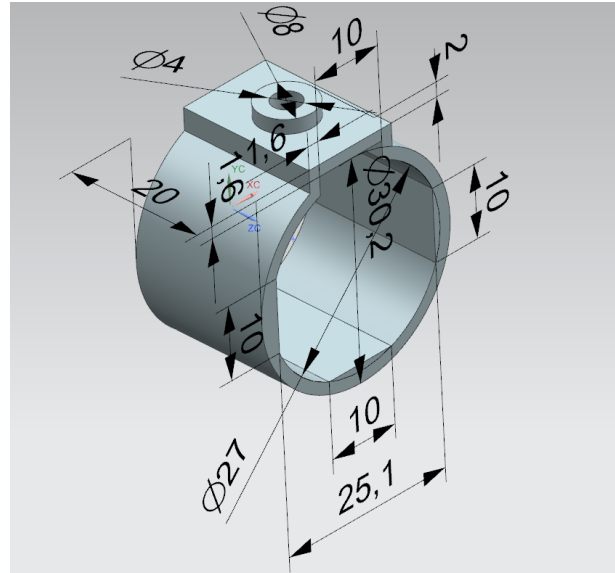
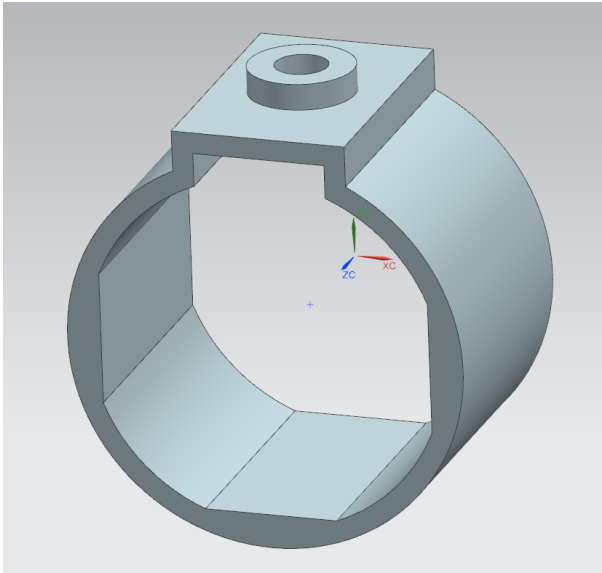


Geometry of volume parts for lighting module bracket

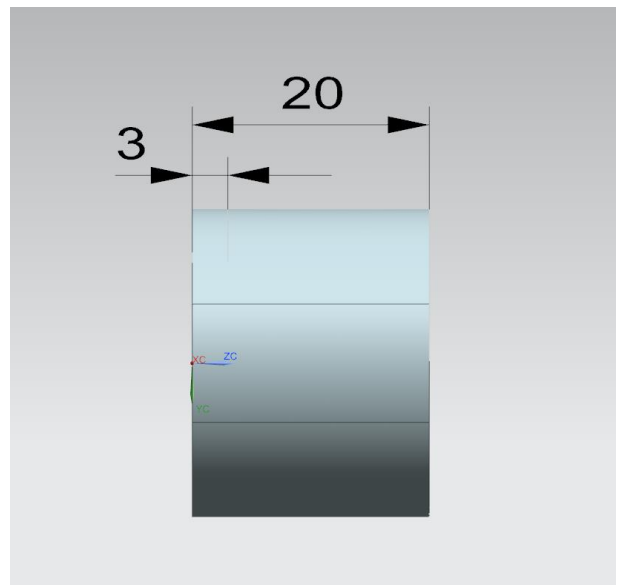
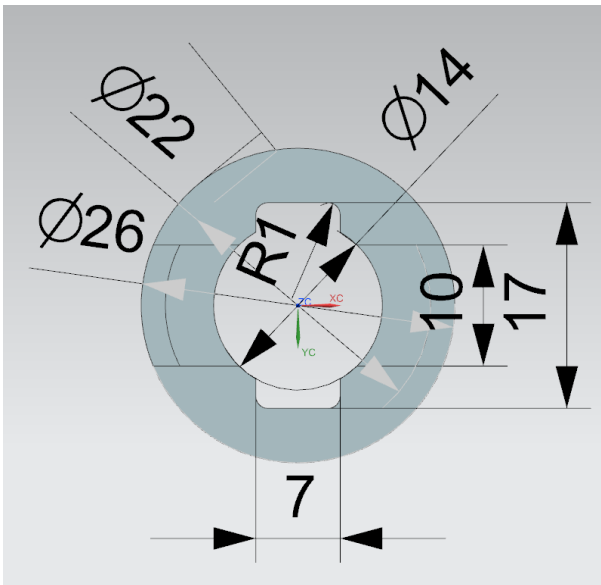
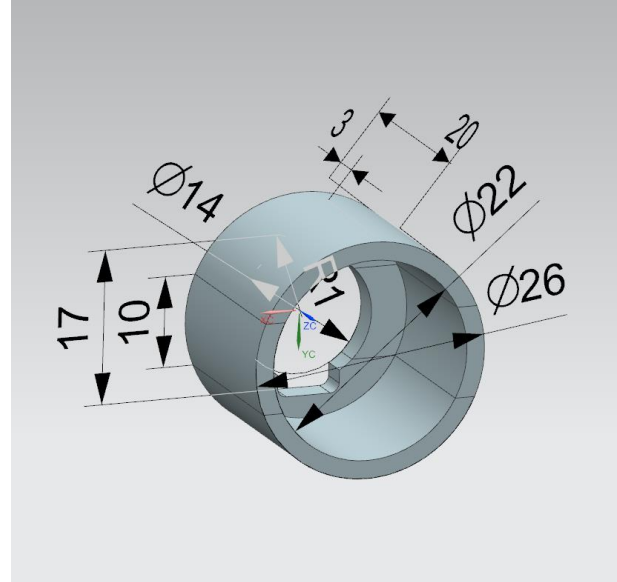
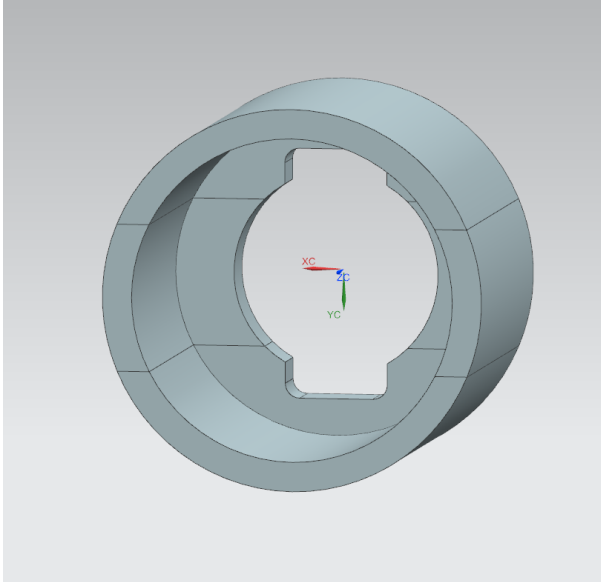
Connecting part 1

1 pcs



Connecting part 2

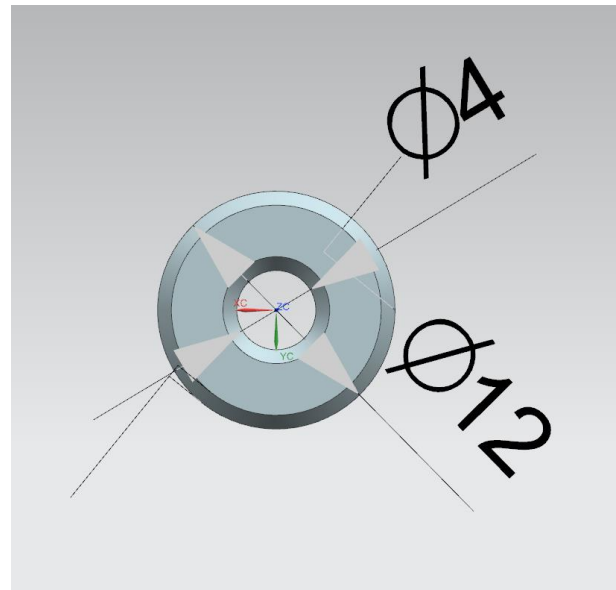
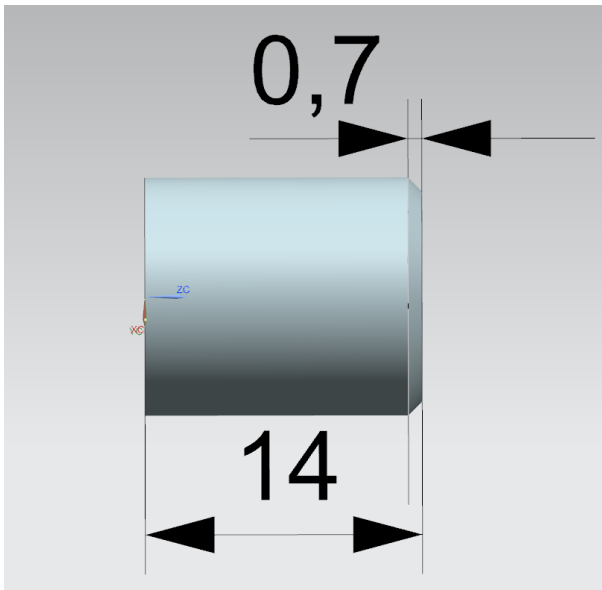
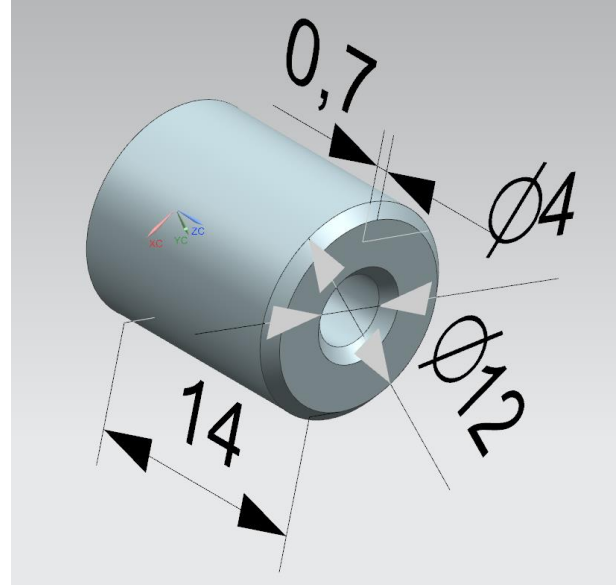
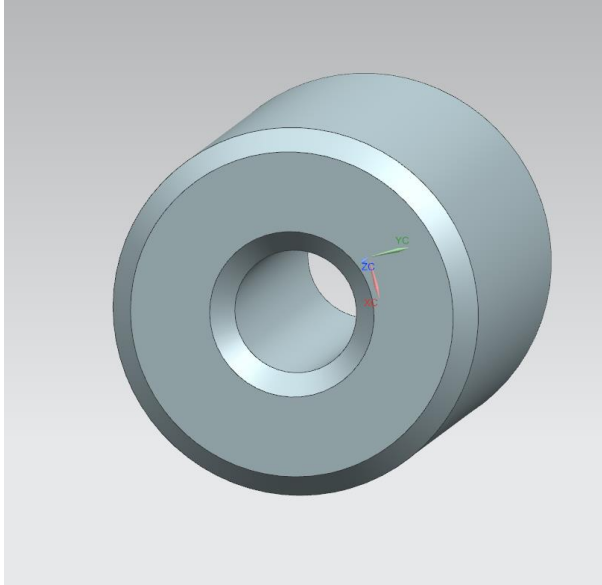
2 pcs



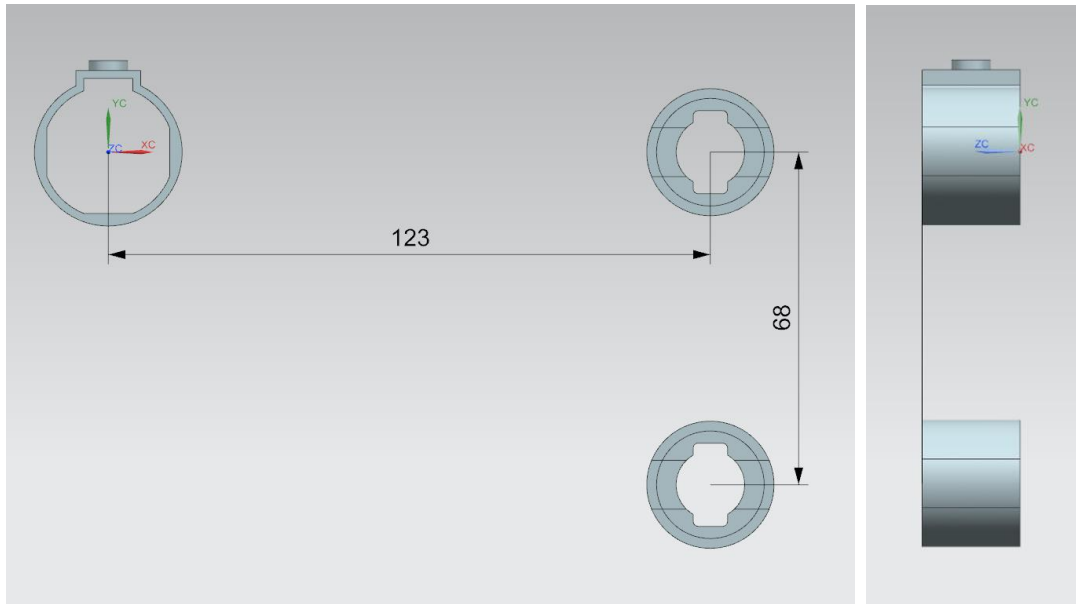
Assembling part 3

3 pcs

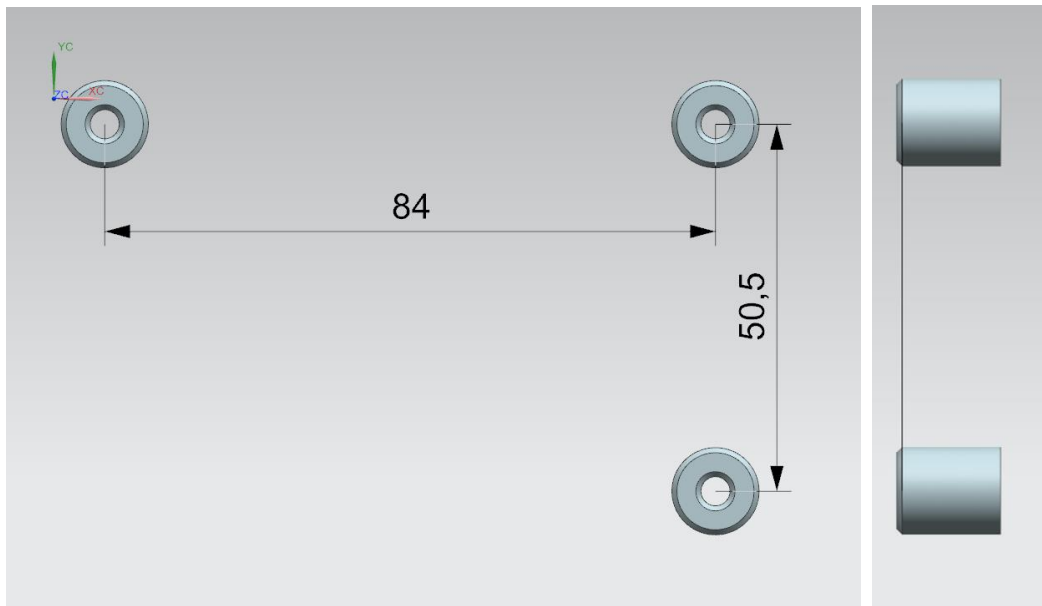
Chamfers: 0,7 x 45°



Assembly 1



Assembly 2



Assembly – all connecting and assembling parts

